



OPERATION MANUAL (ENGLISH)

GARDA  
LR/W050

# INDEX

CHAPTER 1: PRESENTATION.....	3
CHAPTER 2: EQUIPMENT FEATURES.....	4
CHAPTER 3: DECLARATION OF CONFORMITY.....	5
CHAPTER 4: USE.....	6
4.1 Expected use.....	6
4.2 Servicing of double-insulated products.....	6
4.3 Lifting and transport instructions.....	6
4.4 Technical Information.....	6
4.5 Safety.....	6
4.6 Environmental characteristics required.....	7
CHAPTER 5: EQUIPMENT DESCRIPTION.....	7
5.1 General equipment description.....	7
5.2 Power supply.....	8
5.3 Electrical Components.....	8
5.4 Hydraulic circuit.....	8
CHAPTER 6: USER MANUAL.....	9
6.1 Safety.....	9
6.2 Working position.....	10
6.3 Operation.....	11
6.4 Unauthorised uses.....	13
6.5 Maintenance.....	13
6.6 Disposal.....	13
CHAPTER 7: TECHNICAL MANUAL.....	14
7.1 Installation.....	14
7.2 Maintenance.....	15

# PRESENTATION

GARDA LR/W050

## **Thank you for choosing this Luca Rossini shampoo unit - an excellent choice!**

The irresistible Garda shampoo unit combines modern style with the classic comfort that is synonymous with the Luca Rossini brand, creating a timeless product that will stand out in any salon! A flowing, continuous form complements the slender frame that in itself belies the accommodating yet resilient seat and backrest. Garda is available with Shatsu massage (easily accessible) and electric legrest mechanism.

Thanks to the integrated push button panel for the massage and legrest mechanism they can be managed in full autonomy by the customer, who can adjust them at will. Super compact, with a total width of 60 cm, it is also suitable for small salons. The mechanisms are easy to inspect thanks to the removable back and seat that make routine maintenance extremely fast and easy.

The back cover of the unit includes a product compartment.

With the Garda, what else do you want?.

### **Warning**

The manufacturer does not accept responsibility in case of misuse or improper installation, use of non original accessories, of tampering by non authorised personnel and access to areas of the machines to which the operator is not allowed. The manufacturer reserves the right to make changes to the product at any time without giving prior notice. This publication has been updated in April 2019 and may contain technical inaccuracies or typing errors for which we apologise. If you have any questions, please contact us.

## EQUIPMENT FEATURES

<b>Manufacturer</b>	Salon Habitat (Italia) s.r.l. via Enzo Lazzaretti, 12 - 42122 Reggio Emilia www.salonambience.com info@salonambience.com
<b>Model</b>	Garda LR/W050
<b>Function</b>	Wash unit for hairdressing salons, equipped with massage and electric legrest.
<b>IEC Protection Class</b>	II
<b>Year of Manufacture</b>	2019
<b>Power Supply</b>	100/220-240 V ~ 50-60 Hz
<b>Nominal Power</b>	120W
<b>Maximum allowable load for the chair</b>	130 Kg



<b>Manufacturer</b>	Salon Habitat (Italia) s.r.l. via Enzo Lazzaretti, 12 42122 Reggio Emilia - Italy www.salonambience.com info@salonambience.com
<b>Model</b>	GARDA LR/W050
<b>Function</b>	Wash unit for hairdressing salons, equipped with massage and electric legrest
<b>IEC Protection Class - II</b>	
<b>Year of Manufacture - 2019</b>	
<b>Power Supply</b>	100/220-240 V ~ 50-60 Hz
<b>Nominal Power</b>	120W
<b>Maximum allowable load for the chair - 130 Kg</b>	



# DECLARATION OF CONFORMITY

Translation from the original instructions



## DECLARATION OF CONFORMITY

The Manufacturer: Salon Habitat (Italia) s.r.l.  
via Enzo Lazzaretti 12, 42122 Reggio Emilia

has appointed its technical department, c/o the address of the manufacturer, as the organization in charge of drawing up the Technical File.

Declares that the product

### **GARDA LR/W050**

Wash unit bound to be used in hairdressing salons, fulfils the requirements of the following EEC Directives, including their latest amendments, and the relevant transposed national legislation:

- Directive 2006/42/CE \_ On the approximation of the laws of the Member States relating to machinery.
- Directive 2006/95/CE \_ On the approximation of the laws of the Member States relating to electrical equipment designed for use within certain voltage limits.
- Directive 2004/108/CE \_ On the approximation of the laws of the Member States relating to electromagnetic compatibility and repealing Directive 89/366/EEC

Reggio Emilia, 01/04/2019

CEO

**Kerry Dade**

A handwritten signature in black ink, appearing to read 'Kerry Dade', written over a light grey background.

# USE

## 4.1 EXPECTED USE

The Garda shampoo unit was conceived, designed and manufactured as a product for hairdressing salons. This product can be used by ordinary people, as well as children over 8 years old, people with reduced physical, sensory or mental capabilities and those with a lack of experience and knowledge, provided they are supervised.

The maximum capacity is 130kg, and can only accommodate one person at a time.


**ANY OTHER USE IS TO BE CONSIDERED IMPROPER, INCORRECT AND SOURCE OF POTENTIAL DANGERS, INCLUDING THE PRODUCT'S USE IN WAITING AREAS OR HOMES. THE MANUFACTURER DOES NOT ACCEPT RESPONSIBILITY IN CASE OF A USE OF THE EQUIPMENT DIFFERENT FROM THE ONE IT WAS DESIGNED FOR.**

## 4.2 SERVICING OF DOUBLE-INSULATED PRODUCTS

In a double-insulated product, two systems of insulation are provided instead of earthing. No earthing means is provided on a double-insulated product, nor is a means for earthing to be added to the product.

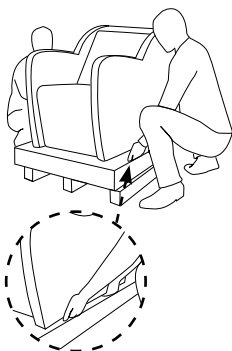
Servicing a double-insulated product requires extreme care and knowledge of the system, and is to be done only by qualified service personnel.

Replacement parts for a double-insulated product must be identical to the parts they replace.

A double-insulated product is usually marked with the words "DOUBLE INSULATION" or "DOUBLE INSULATED", or will be marked with the symbol (square within a square) .

## 4.3 LIFTING AND TRANSPORT INSTRUCTIONS

Move the packed article with forklift or pallet. Remove the top and extract from cardboard box. Perform the operation with 2 people.



## 4.4 TECHNICAL INFORMATION

Standard characteristics	U.D.M.	Value
Maximum capacity	Kg	130
Supply voltage	V ~	100/220-240
Frequency	Hz	50-60
Power consumption	W	110
Dimensions	Length mm	1650
	Depth mm	600
	Height mm	960
Mass	Kg	95
Sound pressure level in the workplace		Less than 70 dB(A)

## 4.5 SAFETY

Plug the machine into an easily accessible socket, checking that the net voltage (V) corresponds to the machine's data plate.

- Avoid the use of extension cords. Plug directly into the electric socket whenever possible.
- Keep the power cable away from places where people walk to avoid it being crushed and so that it does not form an obstacle or hindrance.
- To avoid dangerous electric shocks, use an electric socket equipped with a properly connected socket-contact.

## 4.6 ENVIRONMENTAL CHARACTERISTICS REQUIRED FOR STORAGE AND USE

The Garda shampoo unit must be stored with its original casing in an indoor area, away from sources of heat, at a temperature between 10° and 40°C, with a moisture content that does not exceed 70%. Once the casing is removed, the shampoo unit must respect the same environmental characteristics, and must be located in areas with illumination that respects the EN 12464-1 values.

We ask that you request support from your trusted installation company.

# EQUIPMENT DESCRIPTION

## 5.1 GENERAL DESCRIPTION OF THE EQUIPMENT

The Garda wash unit model differs from the chairs normally used in hairdressing salons thanks to the massage and electric legrest mechanism the Figure 1 shows the main components of the Garda shampoo unit:

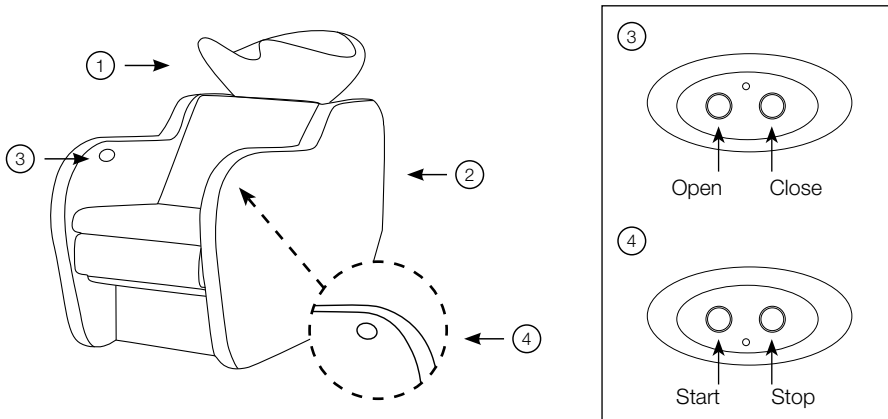


fig.1 main components of the Garda shampoo unit

- 1\_Ceramic basin, where hair is washed. It includes an anatomical ceramic headrest, taps to mix warm and cold water and drainpipe to remove water.
- 2\_Seat, backrest and armrests.
- 3\_Button panel, for OPEN and CLOSE legrest mechanism.
- 4\_Button panel, for START and STOP massage mechanism.

# EQUIPMENT DESCRIPTION

## 5.2 POWER SUPPLY

The power supply of the Garda shampoo unit has been created for an electric cable directly connected to the control unit, equipped with a plug for the socket.

Cable and plug are supplied with the shampoo unit.

The power supply must be sized for the following characteristics – 100/220-240 V ~ 50-60 Hz, monophased. Furthermore, the electrical system must comply with the laws and regulations in force at the place of use, and must be equipped with a differential switch that ensures people's protection against indirect electrical contact. The power supply line of the Garda shampoo unit must be protected against overload and short circuit. Plug the machine into an easily accessible socket, checking that the voltage (V) of the network corresponds to the plate on the machine.

- Avoid use of extension cords, adapters and multiple sockets; when possible insert the plug directly in the socket.
- Keep the power cord away from areas of passage in order to avoid crushing, interference or obstacles to movement.
- Keep the power cord away from heat sources or hot surfaces. To avoid dangerous electrical shocks, use a socket with correctly covered wires.

We ask that you request support from your trusted installation company.

## 5.3 ELECTRICAL COMPONENTS



1. Power supply  
7333



2. Control box  
3885



3. Massage system  
3888



4. Legrest actuator  
3954



5. Legrest panel control  
3953



6. Massage panel control  
3886

## 5.4 HYDRAULIC CIRCUIT

The Garda shampoo unit has hydraulic fittings to connect to the salon's hot and cold water system. It is also equipped with a drainage pipe that allows connection to the drainage system of the salon where the shampoo unit is placed.

Technical plumbing characteristics

- Pressure testing = 15 bar
- Cold water supply = blue pointer to the right
- Hot water supply = red pointer to the right

Operating limits by UNI 10234 (EN 817):

- Pressure = Min. 0.5 bar Max. 10 bar
- Temperature = Max. 90°C

Operating limits recommended by UNI 10234 (EN 817) for the correct functioning of the tap

- Pressure = Min. 1 bar Max. 5 bar
- Temperature = Max 65°C

Warnings:

- It is necessary to thoroughly wash and rinse all piping systems to avoid damage to the taps caused by residue present in the tubes
- For pressure over 5 bar, it is recommended to install a pressure reducer
- It is recommended that you install a centralised filter for dirty water or impurities

For further details, see section 7 regarding installation of the shampoo unit.



# USER MANUAL

## 6.1 SAFETY

### **SAFETY DURING INSTALLATION**

- THE GARDA SHAMPOO UNIT MUST BE POSITIONED ON A FLAT SURFACE, LEVELLED AND ABLE TO BEAR THE WEIGHT WHEN THE WASH UNIT IS LOADED, REFERRING TO THE MAXIMUM ALLOWABLE LOAD.
- FIXING TO THE FLOOR IS MANDATORY, AND MUST BE COMPLETED USING PLUGS WITH A MINIMUM DIAMETER OF 8MM, USING THE CORRECT, PLANNED HOLES
- FOR ELECTRICAL INSTALLATION, PAY CLOSE ATTENTION TO THE INDICATIONS SHOWN IN SECTIONS 4.3 AND 5.2

### **SAFETY DURING USE**

- THIS UNIT MAY ONLY BE USED BY PERSONNEL THAT COMPLETE THE TREATMENT (HAIRDRESSER, SHAMPOOIST, BARBER, ETC.) FROM HEREON 'OPERATOR
- IT IS COMPULSORY TO RAISE AND LOWER THE PERSON ONLY WHEN THE MASSAGE AND LEGREST MECHANISMS ARE STOPPED
- DO NOT EXCEED THE MAXIMUM LOAD ALLOWED, EQUAL TO 130 KG.
- CHILDREN SHOULD NOT BE LEFT UNATTENDED IN PROXIMITY TO THE EQUIPMENT
- DO NOT, FOR ANY REASON, PLACE FEET, HANDS OR OTHER BODY PARTS UNDER THE MOVING PART OF THE FRAME EVEN WHEN MOTIONLESS (THE SHAMPOO UNIT IS DESIGNED SO THAT THE OPERATOR'S FEET ARE AT A SAFE DISTANCE FROM THE MOVING PART OF THE FRAME DURING WORK).
- AFTER USE, ISOLATE THE UNIT FROM ELECTRICITY AND WATER (HOT AND COLD)
- TO DISCONNECT THE EQUIPMENT, FIRSTLY THE MASSAGE AND LEGREST MECHANISMS MUST BE STOPPED. ONLY THEN CAN THE PLUG BE REMOVED FROM THE ELECTRICAL SOCKET.

### **SAFETY DURING MAINTENANCE**

- BEFORE ANY MAINTENANCE OR CLEANING OPERATION, UNPLUG THE UNIT.
- CLEANING AND MAINTENANCE MUST BE PERFORMED ONLY BY THOSE QUALIFIED FOR SUCH A JOB, AND SHOULD NOT BE PERFORMED BY CHILDREN WITHOUT SUPERVISION.
- KEEP CHILDREN AWAY FROM THE MOVING PART OF THE FRAME.
- IF THE MOVING PARTS OF THE MASSAGE OR LEGREST MECHANISM OF THE SHAMPOO UNIT JAM, DO NOT, FOR ANY REASON, TRY TO CLEAR THEM, BUT RATHER CONTACT SALON HABITAT ITALIA SRL CUSTOMER SUPPORT.
- PAY THE UTMOST ATTENTION WHEN THE SHAMPOO UNIT IS USED FOR CHILDREN, SENIOR OR DISABLED PEOPLE.

### **PROHIBITED USE**

NEVER USE THE GARDA SHAMPOO UNIT:

- IF THE POWER SUPPLY CABLE AND / OR THE PLUG ARE DAMAGED.
- IF THE CASE IS VISIBLY DAMAGED.
- AFTER THE UNIT HAS BEEN OVERTURNED OR FALLEN ON THE GROUND.
- AFTER FALLING INTO WATER, OR IF THE WASH UNIT IS WET IN PARTS OTHER THAN THE BASIN.

IN ALL THESE CASE, IMMEDIATELY CONTACT SALON HABITAT ITALIA SRL CUSTOMER SUPPORT FOR THE NECESSARY REPAIRS.

- KEEP THE POWER SUPPLY CABLE AWAY FROM HEAT SOURCES OR WARM SURFACES.
- DO NOT LET OBJECTS OR WATER FALL INTO THE OPENINGS AND/OR THE CRACKS.
- ALWAYS KEEP THE POWER CORD AWAY FROM SOURCES OF HEAT OR HOT SURFACES.
- DO NOT USE THE WASH UNIT OUTDOORS.
- DO NOT USE THE WASH UNIT NEAR ENVIRONMENTS WHERE SPRAY (AEROSOL) IS USED.
- DO NOT USE THE WASH UNIT NEAR ENVIRONMENTS WHERE OXYGEN IS STORED AND USED.
- TO UNPLUG, STOP ALL MOVEMENTS AND THEN REMOVE THE PLUG FROM THE SOCKET.

# USER MANUAL

## WARNING

- SEAT PEOPLE ON THE CHAIR WHEN THE MASSAGE AND LEGREST MECHANISM ARE STOPPED.
- DO NOT EXCEED THE MAXIMUM ALLOWABLE LOAD.
- PLUG THE WASH UNIT INTO AN EASILY ACCESSIBLE SOCKET, CHECKING THAT THE NETWORK POWER SUPPLY ( V ) COMPLIES WITH THE WASH UNIT REQUIREMENTS.
- AVOID THE USE OF EXTENSION CABLES; WHEN POSSIBLE, PUT THE PLUG DIRECTLY INTO THE SOCKET.
- KEEP THE POWER SUPPLY CABLE AWAY FROM PASSAGEWAYS SO TO AVOID CRUSHING AND NOT TO HINDER PASSAGE.
- TO AVOID DANGEROUS ELECTRICAL SHOCKS, USE A SOCKET PROPERLY CONNECTED TO THE POWER SUPPLY NETWORK. WE ADVISE YOU ASK FOR YOUR INSTALLER'S SUPPORT.
- WHEN THE WASH UNIT IS NOT IN USE, REMOVE THE PLUG FROM THE SOCKET.
- AT THE END OF THE WASH UNIT LIFE CYCLE, CUT ITS POWER SUPPLY CABLE WITH A PAIR OF SCISSORS AFTER REMOVING THE PLUG FROM THE SOCKET, AND FOLLOW THE INSTRUCTIONS FOR A PROPER DISPOSAL.

## 6.2 WORKING POSITION

Operators are instructed to stand behind the wash unit as shown in Figure 2, so that their hands can move freely above the basin, where the client's head is resting for washing.

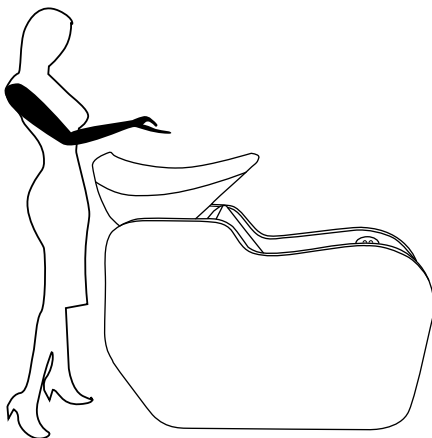


fig. 2 working position

# USER MANUAL

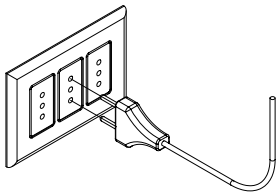
## 6.3 INSTRUCTIONS FOR A CORRECT OPERATION

The correct sequence the operator must execute is as follows.

- 1\_ Check that the shampoo unit is correctly positioned on a flat levelled surface and that it is not wet or has signs of damage.
- 2\_ Check that the working environment is suitable with correct lighting and correct ventilation.
- 3\_ Check that the shampoo unit is correctly connected to the hydraulic circuit so that warm and cold water are available and it is possible to mix them to obtain the right temperature.
- 4\_ Check that the water used to wash hair is correctly drained (check that the drainpipe is not clogged).
- 5\_ Check that the power supply cable and the plug are not damaged.
- 6\_ Check that the socket's power supply is 100/220-240 V ~ 50-60 Hz.

In case of anomalies during these checks, the operator should inform the person in charge.

- 7\_ Put the plug in the socket.



- 8\_ Seat the client on the chair.
- 9\_ If requested, use the appropriate push-button panel to start and stop the massage movement, as shown in figure 3.

NB. Each button has to be held down to for 1 second **IN ORDER TO AVOID UNWANTED ACTIONS.**

The massage cycle lasts 3 minutes. To stop the massage use the stop-button, as shown in figure 4. **AFTER 3 MINUTES IT WILL STOP INDEPENDENTLY.**

# USER MANUAL

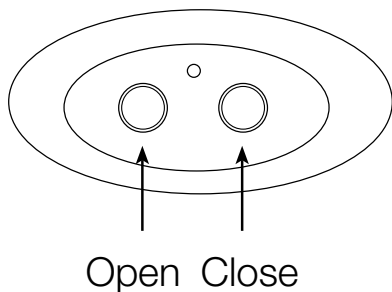


fig.3 legrest control

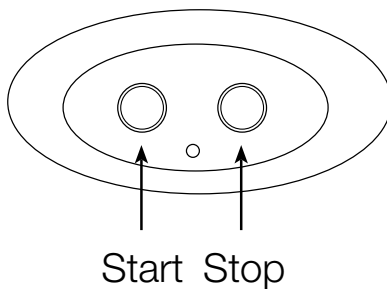


fig.4 massage control

10\_ Wash hair, paying attention to not excessively wet the wash unit, limiting sprays and water leaks from the basin.

11\_ Remove the plug from the socket when the wash unit is not used.

## **If**

- Strange noises such as buzzing or creaking come from the wash unit
- Strange smells such as burning come from the wash unit

## **or**

- Parts of the wash unit get too warm

during the normal functioning of equipment, immediately stop any activity, remove the plug from the socket and inform Salon Habitat Italia Srl Customer Service.

# USER MANUAL

## 6.4 UNAUTHORISED USES

- Do not sit on the armrests or the legrest mechanism.
- Disconnect general power before starting maintenance on electrical/mechanical parts inside the shampoo unit.

## 6.5 INSTRUCTIONS FOR CORRECT MAINTENANCE

It is essential that after each hair washing operation, the operator dries any part of the wash unit that has become wet.

During regular cleaning operations, remember:

- Do not clean metal parts with acidic products.
- Do not clean painted parts with diluents or aggressive products.
- Clean the parts in Sky Colours only with water and neutral soap.

Check every 2 months that there are no water leaks under the sink that could damage the base and equipment of the shampoo unit. To complete this operation, remove the column cover in order to access the area under the basin.

Furthermore, every 6 months:

### **- GREASE THE ROLLERS OF THE MESSAGE SYSTEM ON THE BACK**

- check the drainpipe to avoid clogging.

NB: These operations must be compulsorily performed by specialised personnel, after having previously isolated the power supply.

## 6.6 DISPOSAL

### **Packaging Disposal**

- The outer cardboard packaging material is 100% recyclable and is marked with the recycling symbol.
- Therefore, the various parts of the packaging must not be dispersed in the environment, but rather disposed of conforming to the rules established by local authorities.

### **Wash Unit Disposal**

#### **Do not dispose of the wash unit along with normal waste!**

In compliance with the European Directive 2002/96/CE on electrical waste and electronic equipment, and its relevant applications within the national legislation, electrical equipment at the end of its life cycle must be collected separately and taken to eco-compatible recycling facilities.

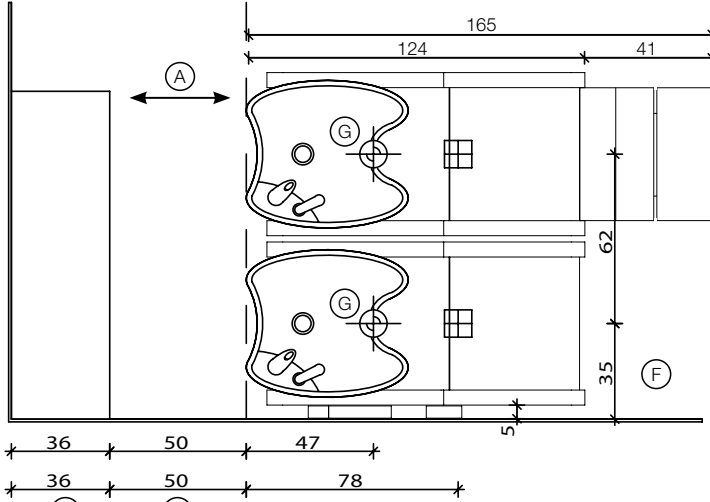
Making sure that this product is disposed of properly, the user contributes to prevent potential negative consequences for the environment and health.

For further information about the treatment, recovery and recycling of this product, contact local authorities, the waste collection service collection service, or the shop where the product was purchased.

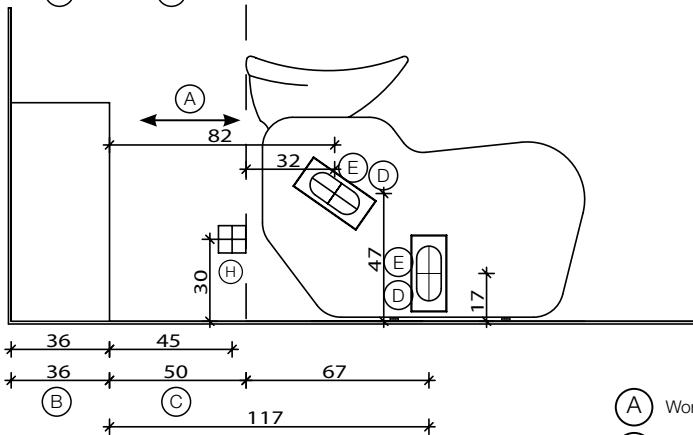
# TECNICAL MANUAL

## 7.1 INSTALLATION

### Pavement Fixing



### Wall Fixing



- (A) Work space
- (B) 36cm for 'Service Centre' cabinet  
48cm for 'Wall System' cabinet
- (C) Variable measurement -  
No less than 50 cm
- (D) Hot and cold water inlet tube
- (E) Water outlet discharge
- (F) Measurement from wall
- (G) Water Inlet 3/8" - Outlet ø40

# TECNICAL MANUAL

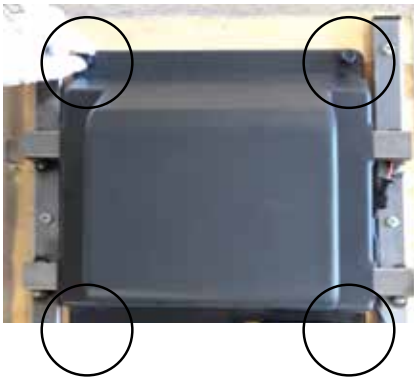
## 7.2 MAINTENANCE



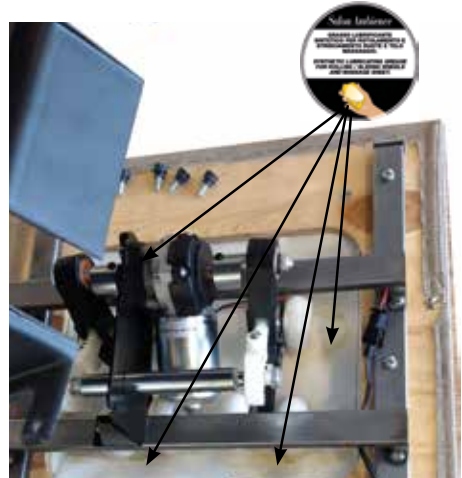
1. Remove the plug from the electrical socket
2. With your hands remove the backrest



3. Remove the plug from the power supply



4. Unscrew the 4 crankcase knobs



5. Remove the casing and lubricate the PVC back cloth of the massage

**EVERY SIX MONTHS INSPECT THE FITTINGS OF THE WATER SYSTEM AND THE PVC CLOTH WHERE THE MASSAGE WHEELS FLOW AND, DEPENDING ON THE FREQUENCY OF USE, LUBRICATE IT WITH SYNTHETIC RUBBER SUCH AS TOPAS NB 52.**



**Salon Habitat (Italia) srl**  
Via Lazzaretti 42122 - Reggio Emilia - Italia

**Sales Italia**

+39 0522 276740

+39 0522 276747

**International Sales**

+39 0522 276755

**Fax**

+39 0522 276767

**E-mail**

[info@luca-rossini.com](mailto:info@luca-rossini.com)

**Web**

[www.luca-rossini.com](http://www.luca-rossini.com)