



Onda: Shampoo unit for hairdressers

The irresistible **ONDA** shampoo unit combines modern style with the classic comfort that is synonymous with the Luca Rossini brand, creating a timeless product that will stand out in any salon!. The upholstery of the sides, seat and backrest are available in one and two-tone variations from a wide choice of colours, at no extra cost. Mixer and shower head included.

The ONDA is now available also with massage.

ARTICLES

LR/W020/B Shampoo unit with white basin

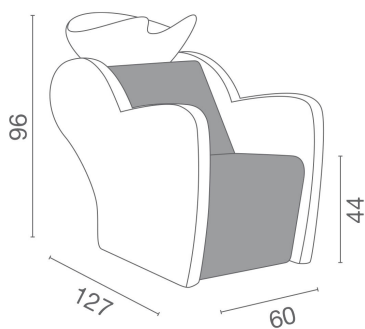
LR/W020/N Shampoo unit with black basin

LR/W025/B Shampoo unit with shiatsu massage and white basin

LR/W025/N Shampoo unit with shiatsu massage and black basin

IN PHOTO: LR/W020/B - COLOUR A: VINTAGE BROWN F5 / B: VINTAGE WHITE G3

Le immagini sono fornite al solo scopo illustrativo e non costituiscono elemento contrattuale



Colours: A B



All Luca Rossini products are available in a wide choice of colours at no extra cost!



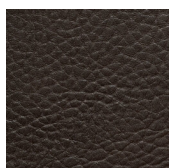
All Luca Rossini products are available in a wide choice of colours at no extra cost!



champagne 10



black coffee 59



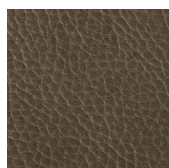
hot chocolate 60



milk 61



tea 62



cappuccino 63



espresso 64



light grey G5



dark grey G6

olive G8

royal blue G9

marine L2

chocolate milk K3

strawberry milk K4

gold K6

vintage brown F5



vintage black G1

vintage tan G2

vintage white G3

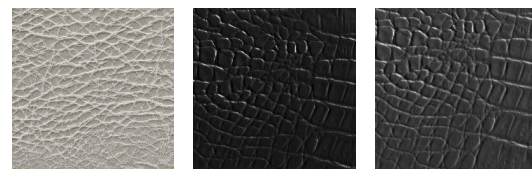
vintage ash G4

vintage chocolate H9

vintage grey K1

vintage blue K2

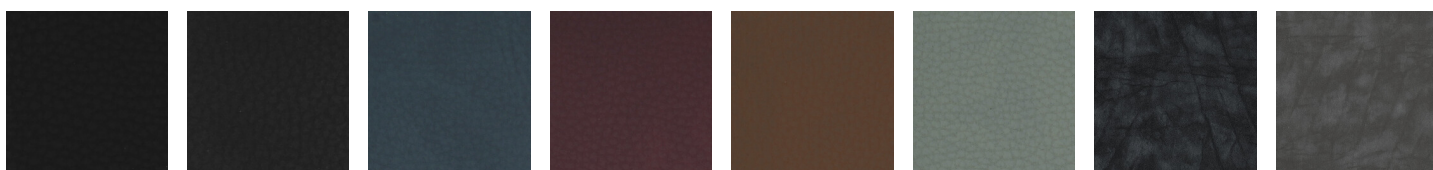
vintage wine K7



vintage ice K8

black alligator 49

grey alligator 50



pebble black N1

slate grey N2

peacock blue N3

mulberry N4

cognac N5

sage green N6

black pearl P1

grey pearl P2



brown pearl P3

beige pearl P4

cognac pearl P5

green pearl P6

yellow pearl P7

red pearl P8

pink pearl P9



Via Lazzaretti 12 - 42122 - Reggio Emilia - Italy
Salon Ambience Italia - +39 0522 276740
International Sales - +39 0522 276755
Numero verde - 800 144552
Fax - +39 0522 276767
E-mail: info@salonambience.com

<https://www.facebook.com/salonambiencegroup>
<https://www.instagram.com/salonambiencegroup/>
https://www.youtube.com/channel/UCqTdWM-4_65Tr0Jul82kSCQ